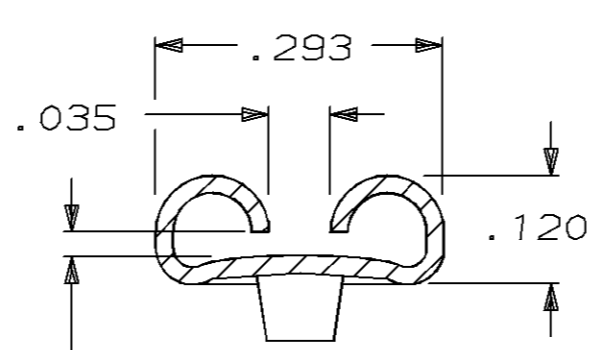
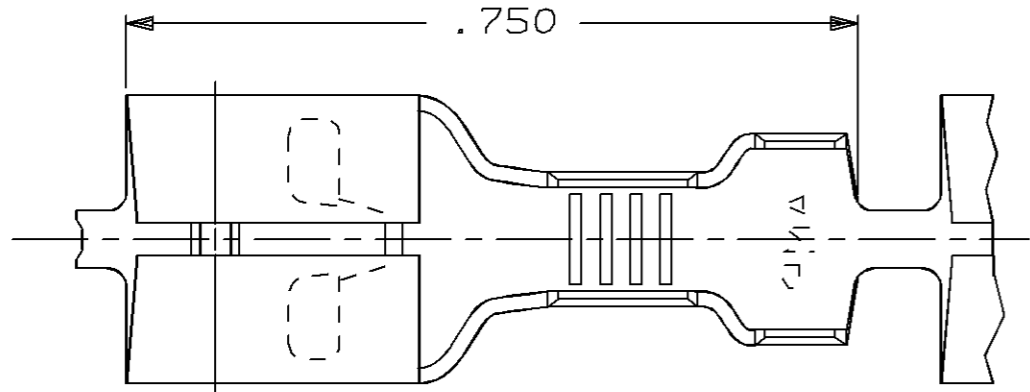


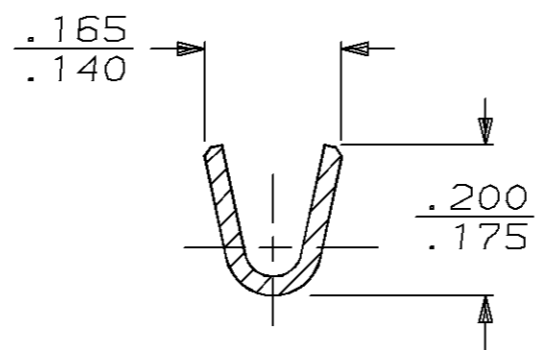
THIS DRAWING IS UNPUBLISHED. RELEASED FOR PUBLICATION, 19 .
 © COPYRIGHT 19 BY AMP INCORPORATED. ALL INTERNATIONAL RIGHTS RESERVED.

LOC	DIST	P	F	REVISIONS				
AF	50			ZONE	LTR	DESCRIPTION	DATE	APPD
					J	REV PER 0L10-0236-96	12/13/96	JR/JG

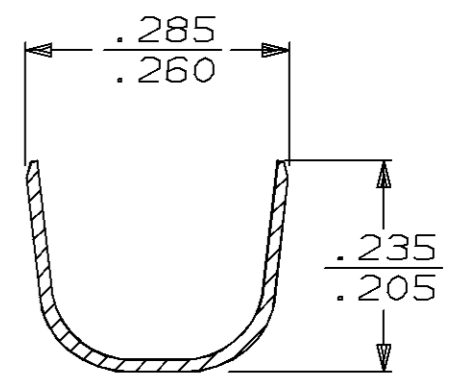


FITS '250' SERIES FASTIN-FASTON TAB
 SECTION A-A

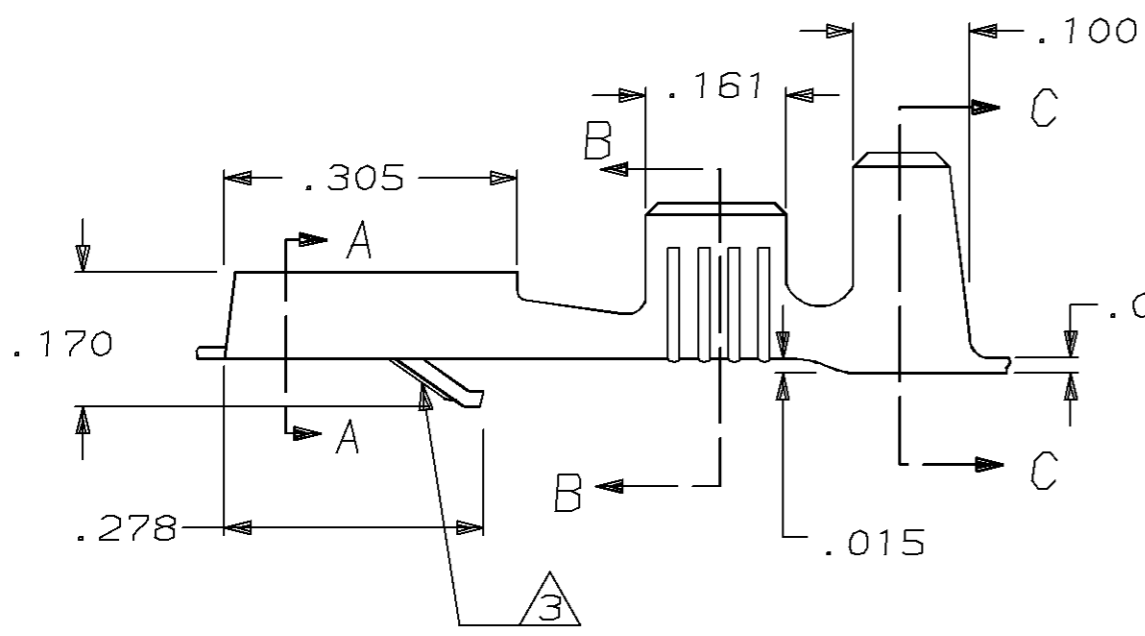
- ① FOREIGN PRODUCTION ONLY
- 2 CONTINUOUS STRIP ON REELS
- ③ RIB ON 1-60253-2 ONLY.



SECTION B-B



SECTION C-C



OBSOLETE				TIN PL .000080 MIN	#4H BRASS	① 1 60253 2 ③
OBSOLETE		.160-.210 OR (2) -.130 MAX		SILVER .000150 MIN	#4H BRASS	60253-3
	16-12	.032		TIN PL .000080 MIN	#4H BRASS	60253-2
				NONE	#4H BRASS	60253-1 ①
	WIRE SIZE	TAB THK ±.001	INSUL. RANGE	FINISH	MATERIAL	PART NO
DO NOT SCALE PRINT. UNLESS SPECIFIED DIMENSIONS IN INCHES TOLERANCES ON: 2 PLC DEC ± - 3 PLC DEC ± .015 ANGLES ± -				DR 4/10/89 DK SCHRUM	AMP AMP INCORPORATED Harrisburg, Pa. 17105	
MATERIAL SEE TABLE				CHK 4/17/89 JR RUTH		
FINISH SEE TABLE				APPD 5/19/89 J GILLESPIE	NAME RECEPTACLE, FASTIN-FASTON, .250 SERIES	
				APPD 5/22/89 R KUZO	SIZE B	FSCM NO 00779
				PRODUCT SPEC -	DRAWING NO 60253	
				APPLICATION SPEC -	SCALE 5:1	SHEET 1 OF 1
				WEIGHT -		